



SmartMeters



MT174-D2 - Summary Sheet

Summary

This Iskra MT174-T1 is a 120A direct connected three phase meter manufactured by Iskra, one of Europe's largest electric meter manufacturer's. This class B, (accurate to within 1%), surface mounted meter is MID approved making it suitable for billing applications and includes two pulse outputs. While typically used in three phase four wire installations, it can also be used on both single and three phase supplies. It also logs recorded data internally so in the event of a fault, such as a screen failure, readings can still be retrieved. We configure the auto scroll display, (viewable without having to press any buttons), on the MT174 for different applications as listed below. This ensures the key information required is available without having to check instructions, press buttons etc.

Product Code

MT174-D2

Meter Type

Three Phase

Fitting Type

Wall Mounted

Max Current (Amps)

120A

MID Approved

Yes

Smart

No

Input Type

Direct Connect

Output Type

Pulse

Tariffs

Multi-Rate

Import / Export

Import & Export

Module Width

2

Availability

Next Day

Condition

New

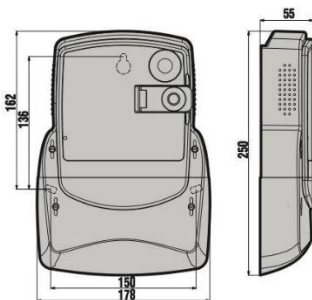
Brand

Iskra

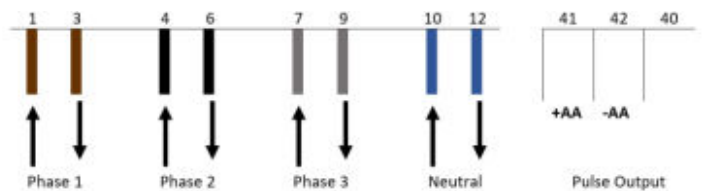
Country of Manufacture

Slovenia

Dimensions



Wiring Diagram



Instructions

The auto scroll display, (viewable without having to press any buttons), displays the following:

1.8.0 A+ All Phases Energy, Total (kWh)

To access the manual scroll display, press the blue button twice until you come to 'Std dAtA', then hold the blue button down for 5 seconds to enter. Once in 'Std dAtA' press the blue button to manually scroll through the other parameters available:

1.8.0 A+ All Phases Energy, Total (kWh)

2.8.0

A- All Phases Energy, Total – Export (kWh)

1.8.1 A+ All Phases Energy, Total (kWh)

1.8.2

A+ All Phases Energy, Total (kWh)

0.9.1 Time of Day

0.9.2

Date

0.2.0 Firmware Version